



# InspirAIR® COMPACT H80-HF-N Heat Recovery Ventilator

PRODUCT  
SPECIFICATIONS  
& TECHNICAL  
DATA



## PRODUCT DESCRIPTION

The energy efficient balanced in-suite ventilation solution ideal for multi-unit residential buildings, the H80-HF delivers superior heat recovery performance in a compact, easy-to-install package only 9 inches (230 mm) in height. Easily concealed in a drop-ceiling or soffit, this unit has been thoughtfully engineered for apartments, condominiums, and other dwellings.

The H80-HF exchanges **73 CFM** of air at 0.2 in.w.g (ESP), perfect for smaller dwellings in multi-unit residential buildings. The H80-HF includes Aldes' exclusive EvacMAX™ on-demand boost for maximum ventilation, and FLEXControl, electronic calibration that eliminates the need for balancing dampers and maximizes overall efficiency.

## KEY FEATURES

- Up to 70% sensible recovery efficiency, a great choice for LEED-certified buildings
- Hassle-free balancing using the balancing chart, pressure taps in the door, and the independently adjustable supply and exhaust blowers (FLEXControl)
- Unique compact door allows easy access to the washable MERV 6 filters

## APPROVALS

Meets Standards:

- C22.2 no113 and UL 1812
- HVI Certified



## CASING

Material: 24-gauge galvanized steel  
Drain Connection: 0.5" (13 mm)  
Duct Diameter: 5" (127 mm)  
Insulation: 1" (25 mm)  
Width: 22" (559 mm)  
Height: 9" (230 mm)  
Depth: 27" (686 mm)  
Weight: 35 lbs (16 kg); Shipping Weight: 40 lbs (18 kg)

## MOUNTING

- Suspended above the ceiling by chains with vibration-isolating springs (included)
- Optional ceiling mount kit available for quick installation

## RECOVERY CORE

Polypropylene sensible heat-recovery core

## BLOWERS

Quantity: 2  
Type: Motorized impellers (backward-inclined)

## ELECTRICAL REQUIREMENTS

120 VAC, 60 Hz, 0.8 A, 144 W (MAX)  
Hard-wired

## CONTROLS

Low voltage (24 VAC) for:

- Digital Multifunction Control (P/N: 611242-FC)
- Humidity Control (P/N: 611224)
- Speed Control (P/N: 611229)
- 20/40/60 Minute Timer (P/N: 611228)
- Dry contact interlock for forced air heating/cooling system

## FROST CONTROL

- Automatic timed integral exhaust defrost
- Activated by a sensor when the outdoor temperature drops below 23°F (-5°C)

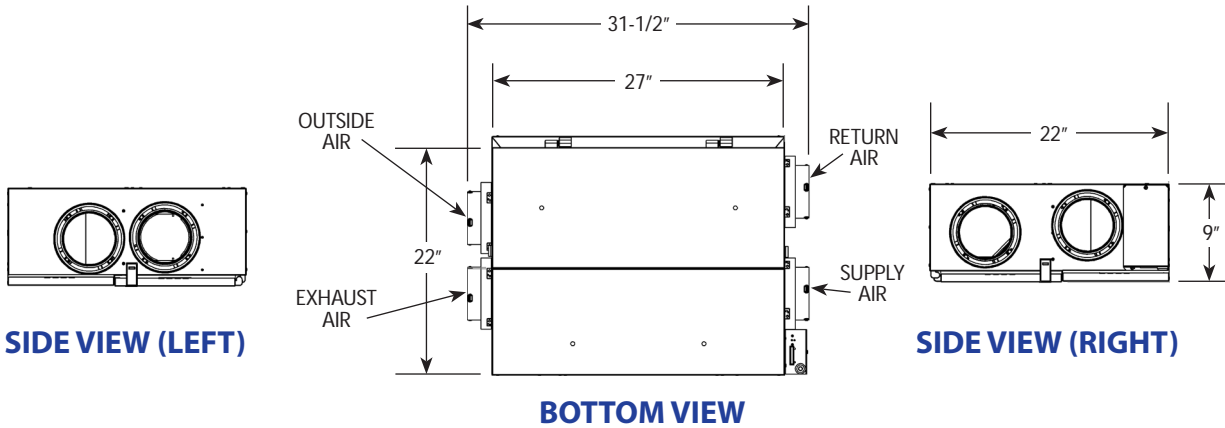
## FILTERS

Quantity: 2  
Type: MERV 6 (Two replacement filters, P/N: 612415)

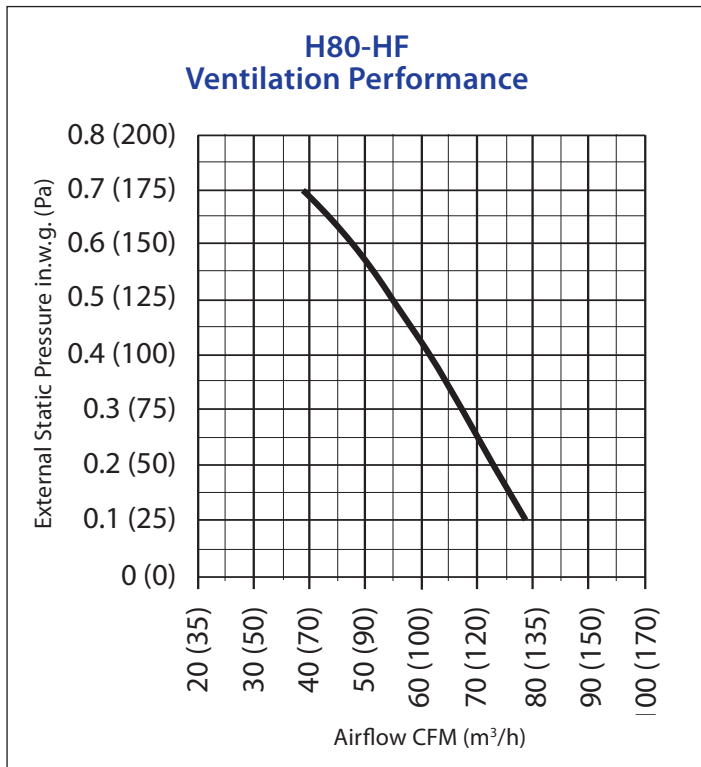
## WARRANTY

Core Assembly: Limited Lifetime  
All Other Covered Components: Limited 5-year warranty

# Dimensions



# Performance



Recovery Performance – H80-HF						
Supply Temperature		Net Airflow		Power Consumed (W)	Sensible Recovery Efficiency	Apparent Sensible Effectiveness
°F	°C	CFM	L/s			
32	0	56	26	32	70%	76%
32	0	65	30	46	67%	74%
32	0	80	38	62	64%	72%



<b>Project:</b>		<b>Architect:</b>	
<b>Location:</b>		<b>Engineer:</b>	
<b>Model #:</b>		<b>Contractor:</b>	
<b>Quantity:</b>		<b>Comments:</b>	
<b>Submitted By:</b>			
<b>Date:</b>			

© 2019 American ALDES Ventilation Corporation. Reproduction or distribution, in whole or in part, of this document, in any form or by any means, without the express written consent of American ALDES Ventilation Corporation, is strictly prohibited. The information contained within this document is subject to change without prior written notice.